

Threaded fittings

FESTO



Festo Core Range
Solves the majority of your automation tasks




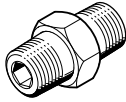
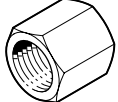


With the Festo Core Range, we have selected the most important products and functions from our broad product catalogue, and added the quickest delivery.

Worldwide: Quickest delivery – wherever, whenever
Simply good: Expected high Festo quality
Fast: Easy and fast to select

The Core Range offers you the best value for your automation tasks.



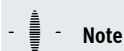
Product range overview

Design type	Version	Type	Connection D1			Connection D2		→ Page/ Internet	
			M thread	G thread	R thread	M thread	R thread		
Straight shape	Blanking plug – External hex								
		B	M3	–	–	–	–	3	
			M5						
	Blanking plug – Internal hex								
		B	M3	–	–	–	–	4	
			M5						
			M7						
			–						G1/8
									G1/4
									G3/8
			G1/2						
		G3/4							
		G1							
Reducing nipple – male thread, female thread									
	D	M5	–	–	M7	–	6		
Double nipple									
	ESK	–	–	R1/8	–	R1/8, R1/4, R3/8	6		
				R1/4		R1/4, R3/8, R1/2			
				R3/8		R3/8, R1/2			
				R1/2		R1/2			
Sleeve									
	QM	M5	–	–	–	–	7		
		–	G1/8						
			G1/4						
			G3/8						
			G1/2						
			G3/4						
			G1						
L-shape	Elbow fitting								
		LJK	–	G1/8	–	–	–	8	
				G1/4					
				G3/8					
	G1/2								
T-shape	T-fitting								
		TJK	M3	–	–	–	–	8	
			–	G1/8					
				G1/4					
				G3/8					
			G1/2						

Datasheet

Blanking plug B

With external hex and sealing ring



Note

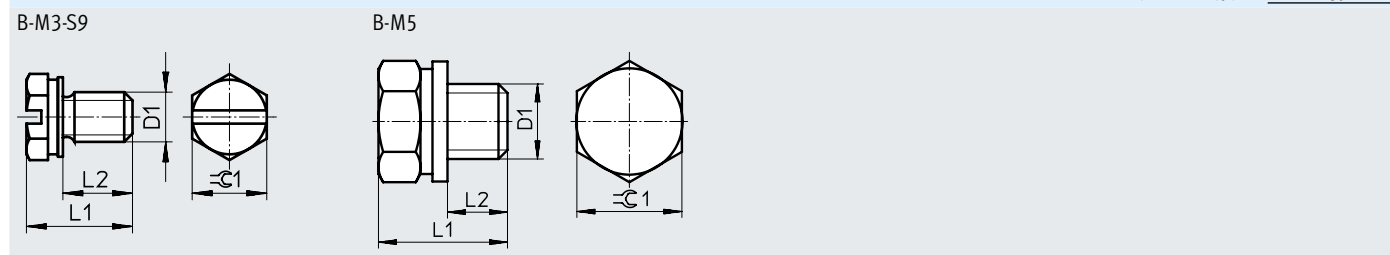
Sealing ring is supplied loose.



General technical data			
Pneumatic connection	Male thread		
	M3		M5
Type of mounting	External hex, spanner size 4.5 and slot 0.8 mm		External hex, spanner size 7
Nominal tightening torque	[Nm]	0.48 ±55%	1.33 ±20%

Materials			
Pneumatic connection	Male thread		
	M3		M5
Blanking plug	High-alloy stainless steel		Anodised aluminium
O-ring	Stainless steel, NBR		
Note on materials	RoHS-compliant		
	Free of copper and PTFE		

Dimensions Download CAD data → www.festo.com



★ Core Range

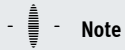
Dimensions and ordering data							
Pneumatic connection	Dimensions [mm]			Weight/ piece [g]	Part no.	Type	PS ¹⁾
Male thread	L1	L2	±0.1				
D1							
M thread							
M3	5.3	2.8	4.5	1	★ 30979	B-M3-S9	10
M5	7.8	3.8	7	1	★ 3843	B-M5	10
					534212	B-M5-100	100

1) Pack size

Datasheet

Blanking plug B

With internal hex and sealing ring



Note

Sealing ring is supplied loose.

General technical data

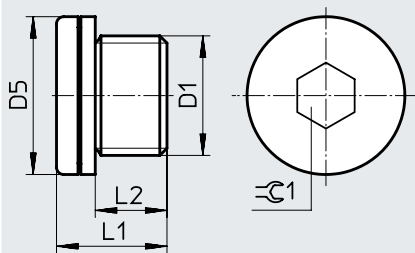
Pneumatic connection	Male thread							
	M5	M7	G1/8	G1/4	G3/8	G1/2	G3/4	G1
Type of mounting	Internal hex, spanner size 2.5	Internal hex, spanner size 3	Internal hex, spanner size 5	Internal hex, spanner size 6	Internal hex, spanner size 8	Internal hex, spanner size 10	Internal hex, spanner size 12	Internal hex, spanner size 17
Conforms to standard	-		DIN 908					
Nominal tightening torque [Nm]	1.33 ±20%	3.35 ±20%	3.5 ±20%	11 ±10%	12.5 ±20%	14 ±20%	35 ±10%	62.5 ±20%

Materials

Pneumatic connection	Male thread							
	M5	M7	G1/8	G1/4	G3/8	G1/2	G3/4	G1
Blanking plug	Nickel-plated steel (F1A: Chemically nickel-plated steel)							
O-ring	Stainless steel, NBR		PA, TPE-U(PUR)					PVC
Note on materials	RoHS-compliant							
	Free of copper and PTFE							

Datasheet

Dimensions

Download CAD data → www.festo.com

★ Core Range

Dimensions and ordering data		Dimensions [mm]				Weight/ piece [g]	Part no.	Type	PS ¹⁾
Pneumatic connection	Variants	D5 ∅	L1	L2	≈ 1				
Male thread D1									
M thread									
M5	–	8	6.3	3.8	2.5	1	★ 174308	B-M5-B	10
	CU/ZN/NI metals excluded						★ 8142288	B-M5-F1A ²⁾	10
M7	–	9.5	7.8	5.3	3	2	★ 174309	B-M7	10
	CU/ZN/NI metals excluded						★ 8144525	B-M7-F1A ²⁾	10
G thread									
G1/8	–	14	11	6.4	5	7	★ 3568	B-1/8	10
	CU/ZN/NI metals excluded						534213	B-1/8-100	100
							★ 8142289	B-1/8-F1A ²⁾	10
G1/4	–	18	15	9.8	6	15	★ 3569	B-1/4	10
	CU/ZN/NI metals excluded						534214	B-1/4-50	50
							★ 8142290	B-1/4-F1A ²⁾	10
G3/8	–	22	15	9.8	8	23	★ 3570	B-3/8	10
							534215	B-3/8-20	20
G1/2	–	26	18	11.65	10	43	★ 3571	B-1/2	10
							534216	B-1/2-20	20
G3/4	–	32	20	13.05	12	76	★ 3572	B-3/4	1
G1	–	39	21	14	17	123	★ 5763	B-1	1


1) Pack size

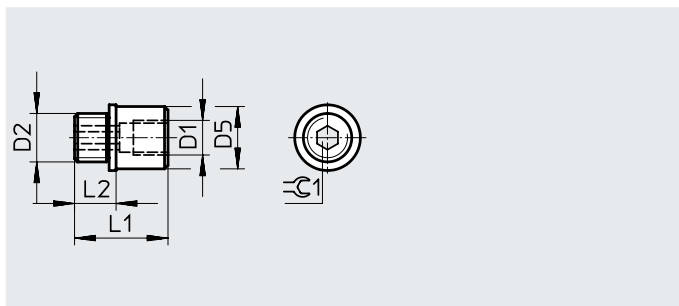
2) Recommended for battery manufacturing

Datasheet

Reducing nipple D

With sealing ring

 **Note**
Sealing ring is supplied loose.



Material:
Brass

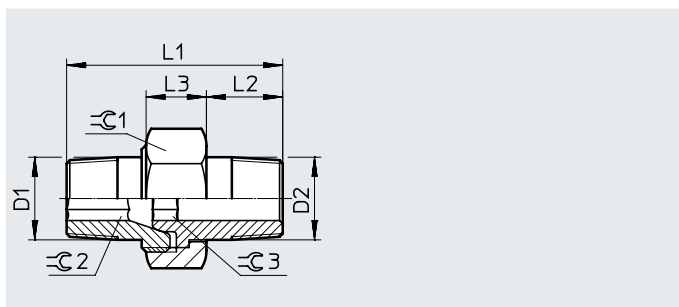
Pneumatic connection		Dimensions [mm]				Weight/ piece [g]	Part no.	Type	PS ¹⁾
Female thread D1	Male thread D2	D5	L1	L2	⌀ 1				
M5	M7	9	13.3	5.3	3	43	161359	D-M5I-M7A-ISK	10

1) Pack size

Double nipple ESK

Adjustable for angular compensation

Material:
Brass



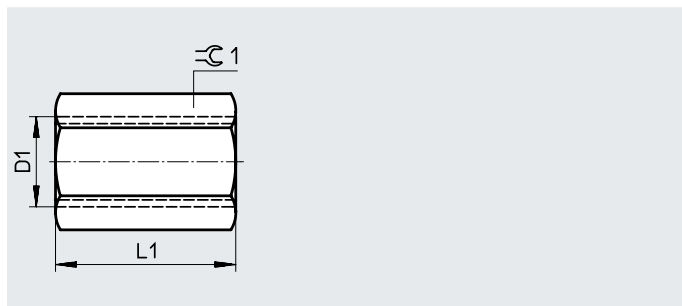
Note on materials:
RoHS-compliant

Pneumatic connection		Dimensions [mm]						Part no.	Type	PS ¹⁾
Male thread D1	Male thread D2	L1	L2	L3	⌀ 1	⌀ 2	⌀ 3			
R1/8	R1/8	27	9	8.5	15	5	5	151520	ESK-1/8-1/8	1
	R1/4	30.6	12	9.5	19	5	6	534151	ESK-1/8-1/4	1
	R3/8	34.5	13	10	22	5	8	534155	ESK-1/8-3/8	1
R1/4	R1/4	34	12	9.5	19	6	6	151521	ESK-1/4-1/4	1
	R3/8	36	13	10	22	6	8	534152	ESK-1/4-3/8	1
	R1/2	40.5	16	12	27	6	12	534153	ESK-1/4-1/2	1
R3/8	R3/8	36	13	10	22	8	8	151522	ESK-3/8-3/8	1
	R1/2	44	16	12	27	8	12	534154	ESK-3/8-1/2	1
R1/2	R1/2	44	16	12	27	12	12	151523	ESK-1/2-1/2	1

1) Pack size

Datasheet

Sleeve QM



Materials	
Pneumatic connection	Female thread
	M5 G1/8 G1/4 G3/8 G1/2 G3/4 G1
Sleeve	– Anodised wrought aluminium alloy
Note on materials	RoHS-compliant
	– Free of copper and PTFE
Corrosion resistance class CRC ¹⁾	2 –

1) Corrosion resistance class CRC 2 to Festo standard FN 940070

Moderate corrosion stress. Indoor applications in which condensation can occur. External visible parts with primarily decorative surface requirements which are in direct contact with a normal industrial environment.

Dimensions and ordering data						
Pneumatic connection	Dimensions [mm]		Weight/ piece [g]	Part no.	Type	PS ¹⁾
Female thread	L1	⌀ 1				
D1						
M5	12	7	–	3560	QM-M5-M5	10
G1/8	22	13	6	2254	QM-1/8-1/8	10
G1/4	26	17	9	2255	QM-1/4-1/4	10
G3/8	32	22	19	2256	QM-3/8-3/8	10
G1/2	36	27	31	2257	QM-1/2-1/2	10
G3/4	36	32	36	4226	QM-3/4-3/4	1
G1	40	41	80	9968	QM-1-1	1

1) Pack size

Threaded fittings

Datasheet

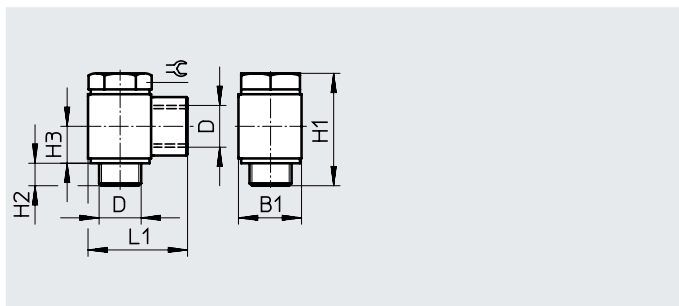
Elbow fitting LJK

With sealing ring



Note

Sealing ring is supplied loose.



Materials

Housing	Die-cast zinc
Hollow bolt	Anodised aluminium
Note on materials	RoHS-compliant

Dimensions and ordering data

Pneumatic connection	Nominal width [mm]	Dimensions [mm]						Part no.	Type	PS ¹⁾
		B1	H1	H2	H3	L1	⌀			
D										
G1/8	4	16	27.1	4.7	9.2	23.5	13	4945	LJK-1/8	1
G1/4	6	20	34.3	5.7	11.8	31	17	4946	LJK-1/4	1
G3/8	8	25	41.3	6.7	14.3	36.5	22	4947	LJK-3/8	1
G1/2	12	30	46.6	7.5	17.05	44	27	4948	LJK-1/2	1

1) Pack size

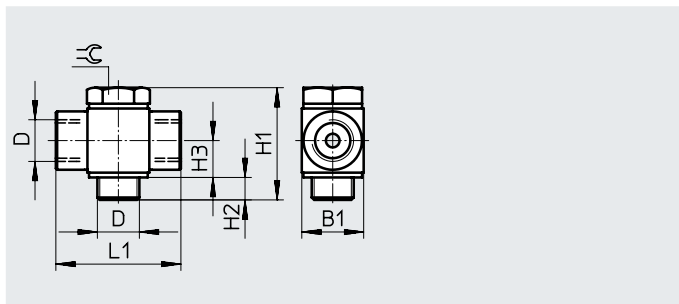
T-fitting TJK

With sealing ring



Note

Sealing ring is supplied loose.



Operating and environmental conditions

Operating medium	Compressed air to ISO 8573-1:2010 [7:-:-]
Note on the operating/pilot medium	Lubricated operation possible (in which case lubricated operation will always be required)

Materials

Pneumatic connection	M3	G1/8	G1/4	G3/8	G1/2
Housing	Nickel-plated brass	Die-cast zinc			
Hollow bolt	Nickel-plated brass	Anodised aluminium			
Note on materials	RoHS-compliant				

Dimensions and ordering data

Pneumatic connection	Nominal width [mm]	Dimensions [mm]						Part no.	Type	PS ¹⁾
		B1	H1	H2	H3	L1	⌀			
D										
M thread										
M3	1.2	5	10	2	3.3	10	4.5	15874	TJK-M3	10
G thread										
G1/8	4	16	27.1	4.7	9.2	28	13	4949	TJK-1/8	1
G1/4	6	20	34.3	5.7	11.8	39	17	4950	TJK-1/4	1
G3/8	8	25	41.3	6.7	14.3	43	22	4951	TJK-3/8	1
G1/2	12	30	46.6	7.5	17.05	52	27	4952	TJK-1/2	1

1) Pack size